

# ENDON®

## Corvina Table Light

### INSTRUCTION MANUAL

#### Safety Warnings

- This product is only suitable for connection to a 240V~50Hz supply in accordance with current IEE wiring Regulations. It is for indoor use only, and not suitable for a Bathroom location.
- This fitting is a Class I product and **must** be connected to Earth.
- Do not plug into the mains until your lamp is fully assembled.
- Under no circumstances must this table lamp be covered with any material as this could pose a safety hazard. It must be used on a stable, flat surface.
- This product is not suitable for persons under 14 years of age.
- Never fit bulbs of a higher wattage than those specified on the label (as these may cause overheating and damage the fitting).
- The Lamp must be protected by a 3 amp fuse in the mains plug.
- If the mains cable becomes damaged it must only be replaced by a technically competent, qualified person.
- If you are in any doubt about your competence please consult a qualified electrician.
- This products may contain delicate parts – be careful during handling and maintenance to avoid breakage.
- If any modification is made it will invalidate the warranty and may render the product unsafe.

#### Care Information

Allow 10 minutes to cool before replacing, adjusting or cleaning.

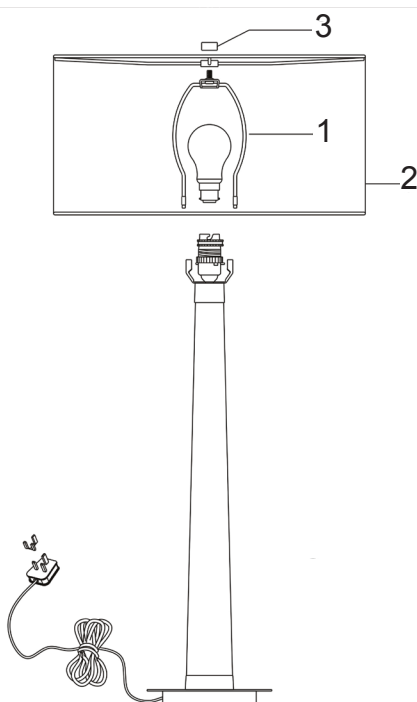
Clean with a dry cloth only. Do not use liquid or abrasive cleaners on this product.

#### Assembly/ User Instructions

##### Before you start

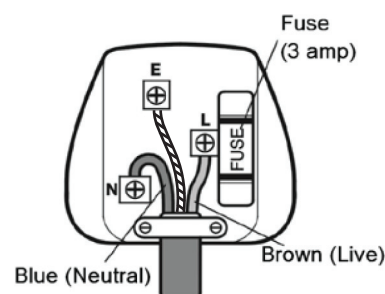
Please read these instructions carefully before fitting and retain for reference. Check the packaging and make sure that you have all the required parts. Follow each assembly step in order to prevent incorrect assembly. Ensure that the product is fully assembled as illustrated before use.

**These assembly diagrams are intended as a guide – if in doubt consult a qualified electrician.**



1. Carefully unpack your lamp, and place on a stable, flat surface.
2. Fit the shade carrier (1) then place the shade (2) on top of the shade carrier and secure using the decorative finial (3).
3. Install the bulb. Do not install a bulb with a greater wattage or different shape than specified on the label.
4. Plug in, and operate the switch to turn your lamp on.

If your lamp will not illuminate, please check the bulb, the 3 amp fuse in the plug and ultimately check the relevant fuse in your Fuse Box. If unsuccessful please consult your Retailer.



Class I Plug Wiring Diagram

